



# SK-60

Inboard Engine Base Kubota

4 cylinders in line 59,8 HP (44 kW) 2700 rpm

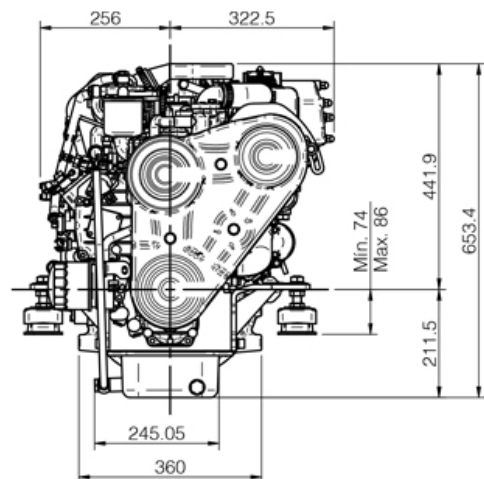
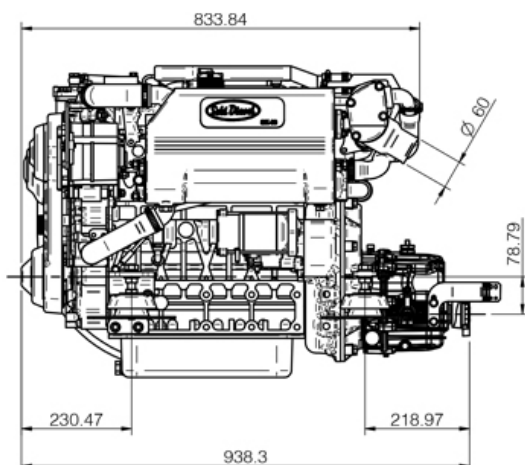


## Technical Specifications

Base	Kubota
Type	Diesel 4 Stroke Cycle
Number of Cylinders	4 in line
Intake System	Turbocharger
Bore x Stroke	87 mm x 102 mm (3,43 in x 4,02 in)
Total Displacement	2434 cc
Compression Ratio	22.5:1
Intermittent Power (ISO3046/1)	59,8 HP (44 kW)
Continuous Power	53,9 HP (39,6 kW)
Rated RPM	2700
Combustion System	Indirect mechanical injection
Starter Motor	12 V (2 kW)
Alternator	120 A 12 V
Engine Max Installation Angle	Max static angle 17° (+ 3° in operation)
Direction of Rotation (Crankshaft)	Anti Clockwise
Cooling System	Sea water cooled heat exchanger
Dry Weight (bobtail)	217,4 Kg (479 Lbs)
Water Hose (Inside Diameter)	32 mm (1,26 in)
Fuel Feed Hose (Inside Diameter)	8 mm (0,31 in)
Fuel Return Hose (Inside Diameter)	6 mm (0,24 in)
Exhaust hose (inside Diameter)	60 mm (2,36 in)
Certifications	EU: RCD II (Directive 2013/53/EU)

## Dimensions

SK-60 TMC-60

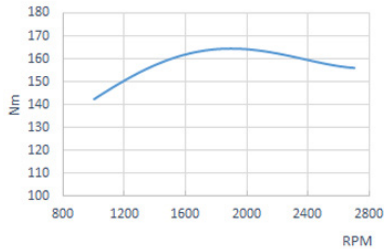


Dimensions in mm

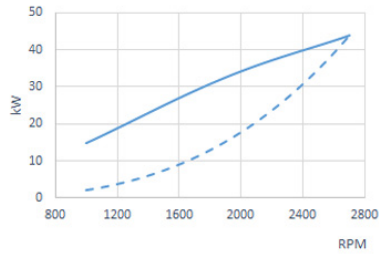


## Performance Curves

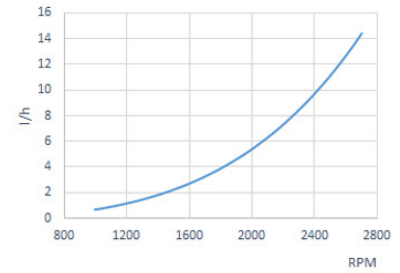
Crankshaft torque



Power (ISO 3046/1)



Fuel Consumption



Engine Power

Propeller Power

## Panels

### SVT 20 Standard



- Tachometer including hour meter
- Coolant Temperature Gauge
- Pre-heating Pilot Light
- Low Battery Alarm
- High Temperature Alarm
- Low Oil Pressure Alarm
- 5 Positions Key
- Dimensions: 205 x 155 mm



### SVT 30 Optional

- Tachometer including hour meter
- Coolant Temperature Gauge
- Pre-heating Pilot Light
- Low Battery Alarm
- High Temperature Alarm
- Low Oil Pressure Alarm
- 5 Positions Key
- Oil Pressure Gauge
- Voltmeter
- Dimensions: 255 x 160 mm

## Accessories

### Scope of Supply

- Packaging
- Instrument Panel SVT 20
- Extension Harness 3 m
- Anti Vibration Mounts
- Sump Drain pump
- Owner's Manual

### Optional Equipment & Kits

- Alternative gearboxes to suit your requirements
- Additional alternators
- Front mounted Power Take off and pulleys
- Special Engine Feet to suit existing installation
- Engine Installation kits and accessories

## Gearbox

Model	Type	Down Angle	Reduction Ratio (Light Duty)	Reduction Ratio (Cont. Duty)	Engine Weight with Gearbox
SP60	Sail Drive	0°	2.15:1	-	269 Kg (593 Lbs)
TM-345	Hydraulic	0°	2.00:1 - 1.54:1 - 2.47:1	-	250 Kg (551 Lbs)
TM-345A	Hydraulic	8°	2.47:1 - 2.00:1 - 1.54:1	2.00:1 - 1.54:1	250 Kg (551 Lbs)
TM-93	Hydraulic	0°	2.09:1 - 1.51:1 - 2.77:1 - 2.40:1	2.09:1 - 1.51:1 - 2.77:1 - 2.40:1	284 Kg (626 Lbs)
TM-93A	Hydraulic	8°	2.40:1 - 2.09:1 - 1.51:1	2.40:1 - 2.09:1 - 1.51:1	284 Kg (626 Lbs)
TMC-260	Mechanical	0°	1.54:1 - 2.47:1 - 2.88:1 - 2.00:1	2.00:1	237 Kg (522 Lbs)
TMC-60P	Mechanical	0°	2.00:1	-	234 Kg (516 Lbs)
ZF 63 IV	V-Drive H.	12°	1.99:1	1.99:1	239 Kg (527 Lbs)

Authorised Distributor



**Engines Plus Ltd**  
 Tel - 01452 729707  
 E-mail - sales@enginesplus.co.uk  
 Website - www.sole-diesel.co.uk



solediesel.com - sales@enginesplus.co.uk

Detailed drawings, brochures and manuals are available on the web. © 2017, Solé Diesel. All rights reserved. Technical specifications, data and presentation are subjected to variations, changes and updates without prior notice, and without any obligation or liability whatsoever. Text and illustrations are not binding.

